

MD-1 SERIES
DESK TOP DYNAMIC MICROPHONE

This microphone series is designed for especially high quality audio characteristics and convenient operation. A personalized callplate for the MD-1 is available with your callsign engraved on it. Simply fill out and return the attached coupon to Yaesu Musen, CPO Box 1500, Tokyo, Japan.

Features

1. A heavy diecast base and bronze element casing make the MD-1 a particularly durable, heavy-duty microphone for base station use.
2. The large dynamic element provides an extremely wide range audio response, and an internal switch is then used to select that portion of the audio spectrum that one chooses to emphasize, attenuating the lower frequencies according to the user's choice.
3. Output impedance may be selected via an internal switch, 600 or 50K ohms.
4. A dual pivoting mechanism allows both horizontal and vertical rotation to accommodate various locations and heights, while the microphone can also be easily separated from the base to provide for those situations where a hand-held microphone is most convenient. (If the microphone is electrically disconnected and used totally independently from the base, only 600 ohms impedance without scanning control is possible.)
5. The base of the MD-1 includes a large PTT switch bar and lock switch, as well as scanning UP, DOWN, and FAST switches.* The microphone contains a PTT slide switch (only).

Specifications

Type:

Dynamic

Frequency Response:

100 Hz – 15 kHz (–6 dB)

Sensitivity:

–73 dB at 600 ohms, –56 dB at 50K ohms

Directivity Pattern:

Unidirectional (teardrop)

Switches:

(Top)

PTT, PTT lock, Scan UP, DOWN and FAST*

(Bottom)

Audio Tone Response (3 positions)

Position 1: full range

Position 2: –5 dB at 100 Hz

Position 3: –10 dB at 100 Hz

Impedance Selector (600 ohms/50K ohms)

Dimensions:

Base: 98 x 160 x 165 mm (WHD)

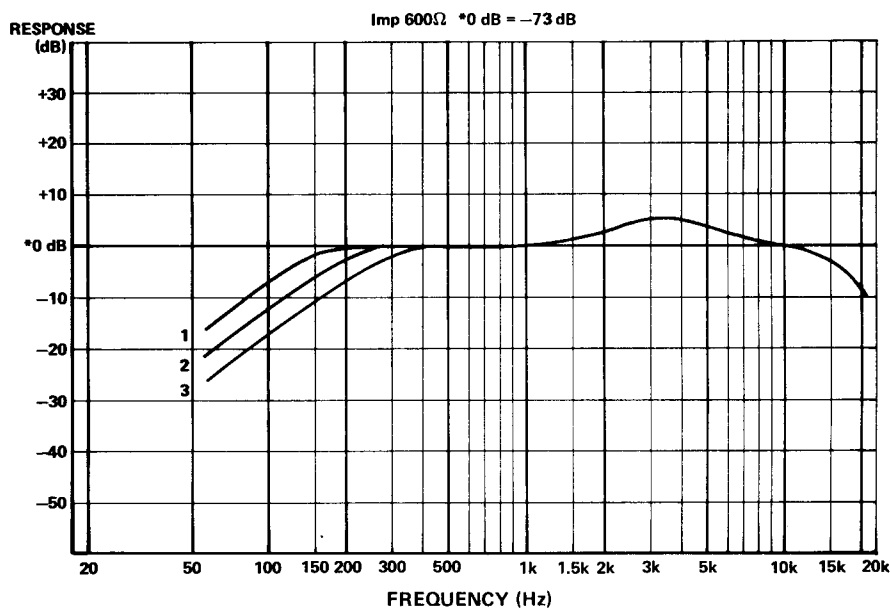
Microphone: diameter 40.5 x 210 mm

Weight:

Base ~ 750g.

Microphone ~ 250g.

* Some models of the MD-1 series do not include the scanning switches.



NAME AND FUNCTION OF COMPONENTS

HORIZONTAL PIVOT LOCK RING
Loosen this ring (counterclockwise) to change horizontal position, then turn clockwise to tighten.

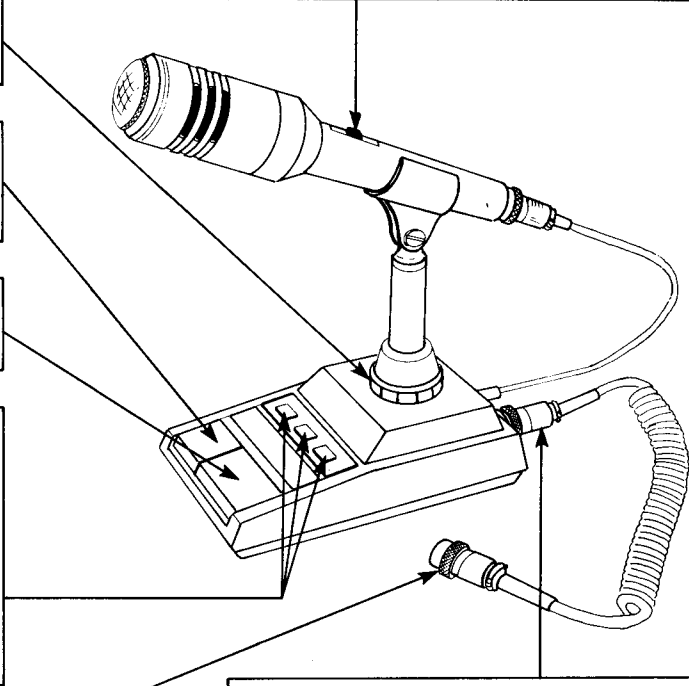
PTT LOCK SWITCH
Push to lock PTT ON, push again to release (receive).

PTT SWITCH (1)
Push to talk, release to receive.

FREQUENCY SCANNING SWITCHES
Push UP or DOWN to scan in that direction slowly. Push UP or DOWN along with the FAST switch to scan FAST UP or FAST DOWN. (These controls do not operate when the MD-1 is used with a transceiver not equipped with scanning circuits.)

MICROPHONE PLUG A
Connect this plug to the MIC jack on the transceiver.

PTT SWITCH (2)
Use this switch for PTT control when the microphone is used for hand-held microphone applications.



MICROPHONE PLUG B
Insert this plug into the jack on the base for desk stand operation, or into the microphone itself for hand-held microphone operation.

AUDIO TONE RESPONSE SWITCH
This switch sets the desired microphone response according to the operator's voice pitch, background noise and QRM conditions, and speech processing requirements.

IMPEDANCE SWITCH
Selects 600 ohms or 50K ohms according to the requirements of the transceiver's microphone input circuit.

